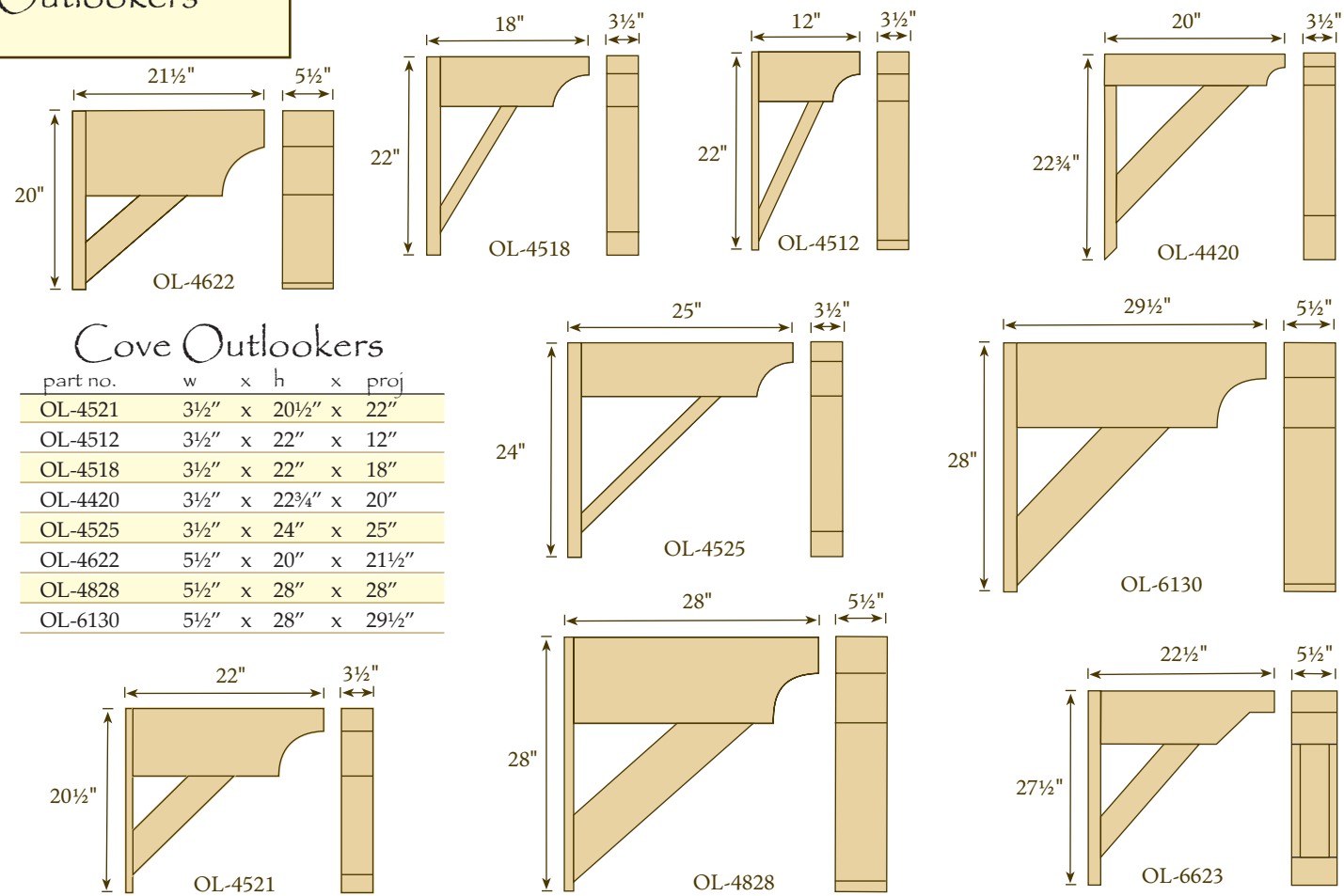


Outlookers



Cove Outlookers

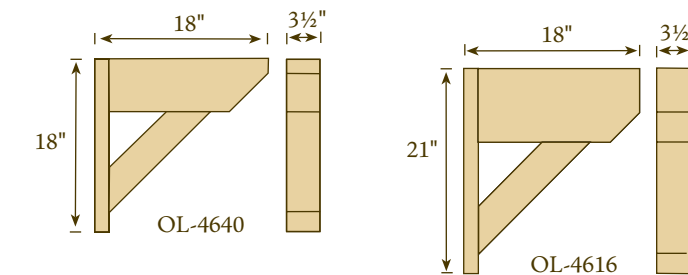
part no.	w	x	h	x	proj
OL-4521	3½"	x	20½"	x	22"
OL-4512	3½"	x	22"	x	12"
OL-4518	3½"	x	22"	x	18"
OL-4420	3½"	x	22¾"	x	20"
OL-4525	3½"	x	24"	x	25"
OL-4622	5½"	x	20"	x	21½"
OL-4828	5½"	x	28"	x	28"
OL-6130	5½"	x	28"	x	29½"



Outlookers

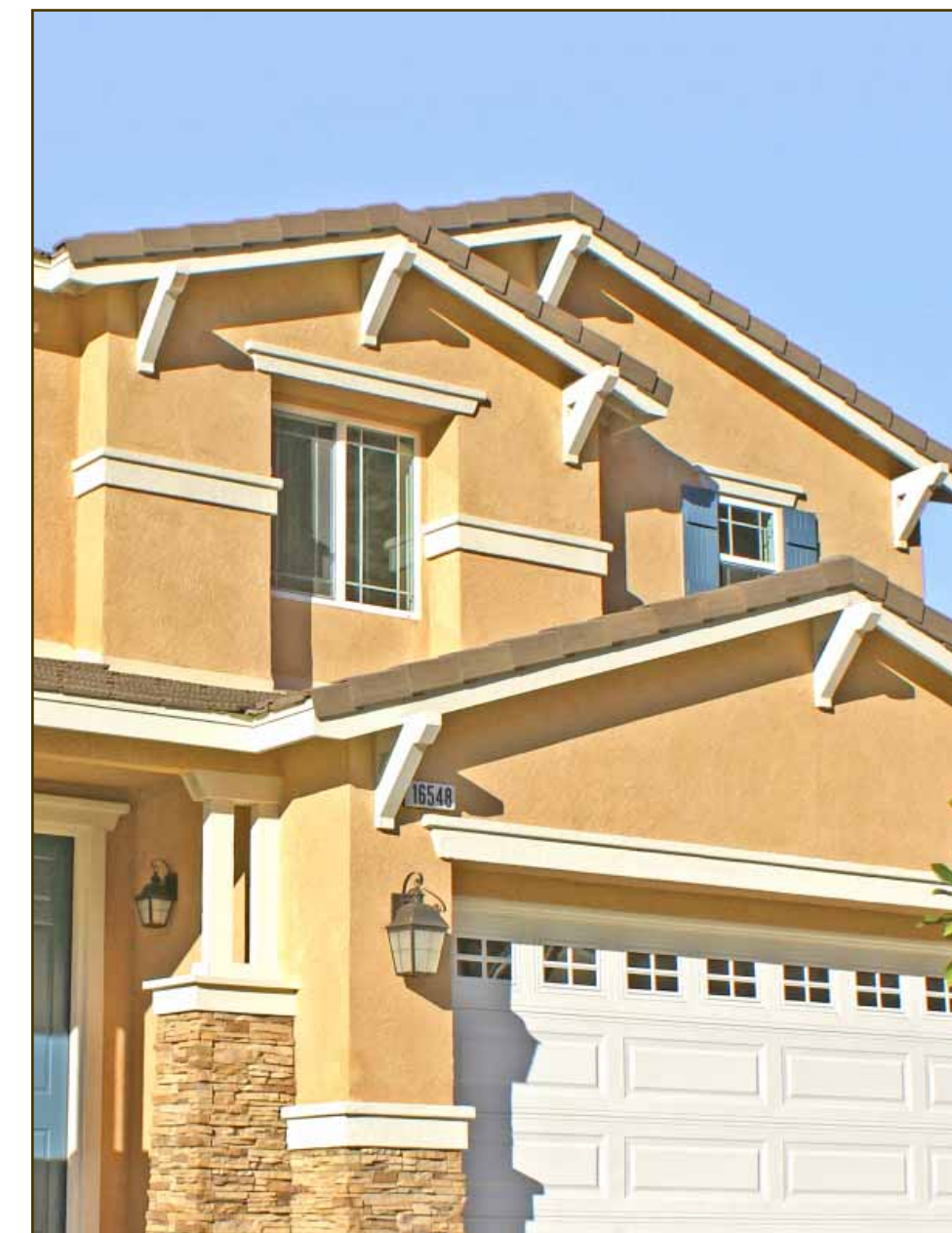
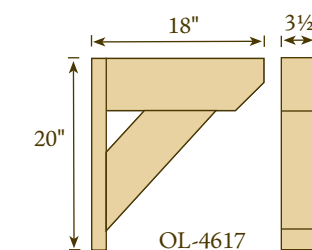
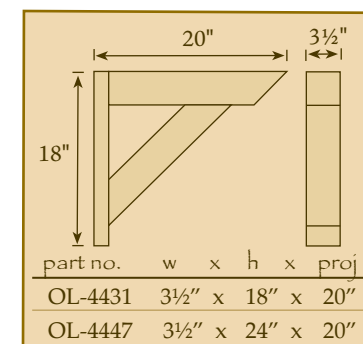
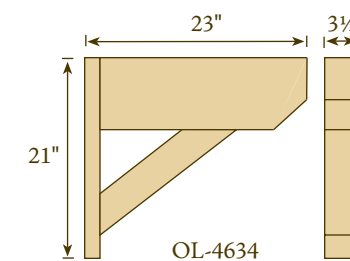
The Rough Sawn Outlooker has become one of Hennis Enterprises' signature products. Take a look at how much more character the exterior of these houses have with them. Affordable, durable, and attractive, our outlookers are a great way to bring out the splendor of any home or structure.

Our outlookers are molded as one piece, eliminating the possibility of the pieces coming apart, splitting or rotting. Polyurethane outlookers are lightweight, and very easy to handle and install.

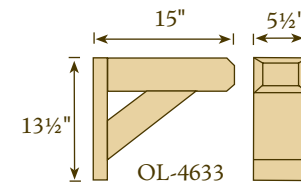
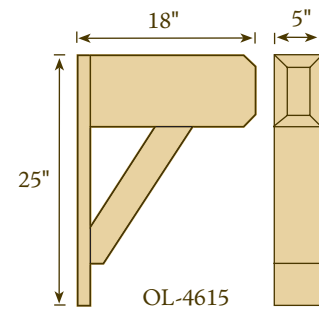
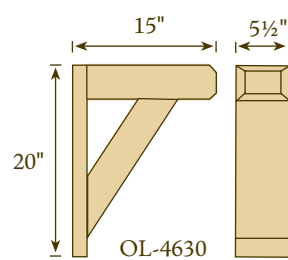
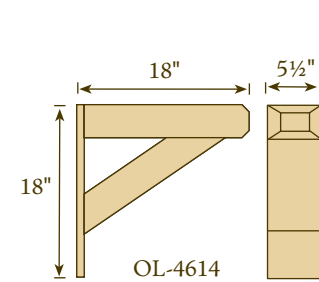
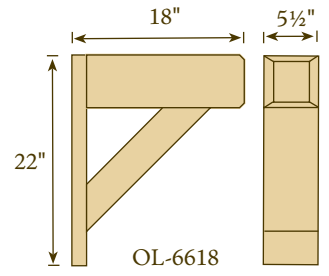
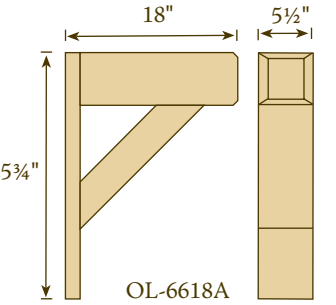
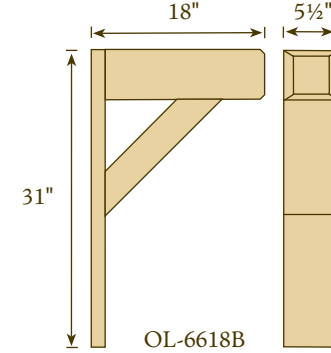
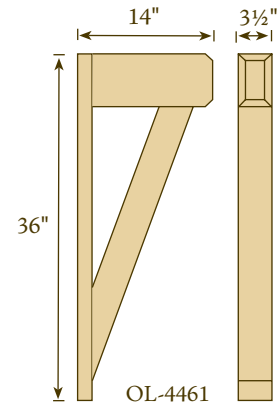
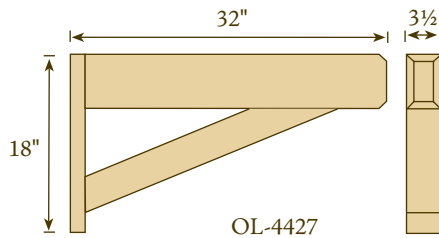
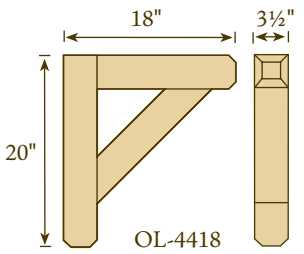
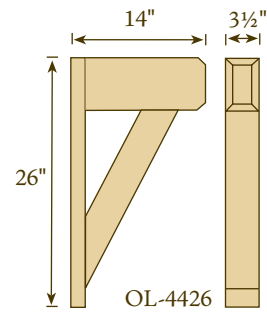
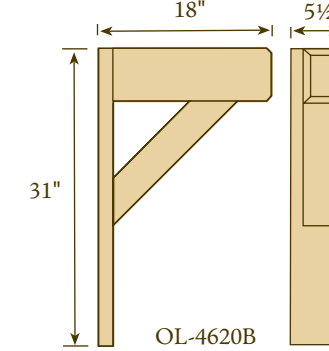
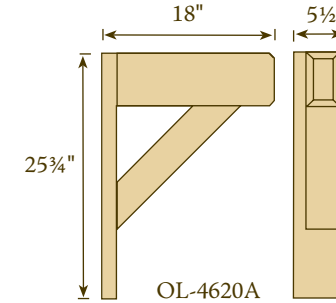
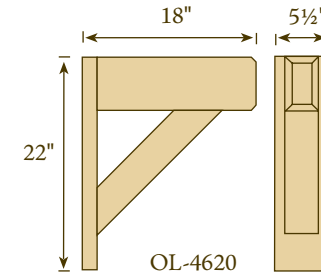
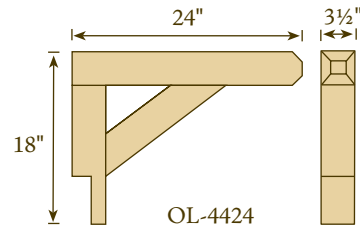
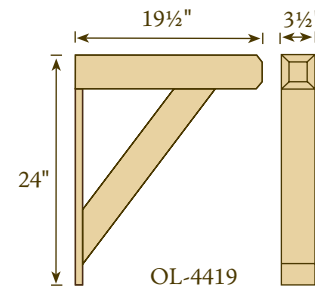
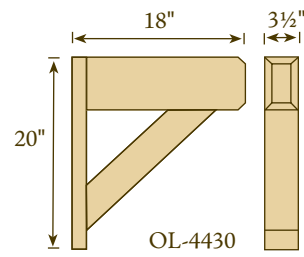
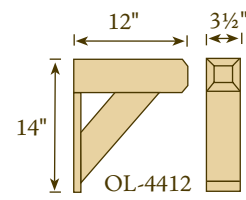


Slant Outlookers

part no.	w	x	h	x	proj
OL-4640	3½"	x	18"	x	18"
OL-4431	3½"	x	18"	x	20"
OL-4617	3½"	x	20"	x	18"
OL-4616	3½"	x	21"	x	18"
OL-4634	3½"	x	21"	x	23"
OL-4447	3½"	x	24"	x	20"
OL-6623	5½"	x	27½"	x	22½"

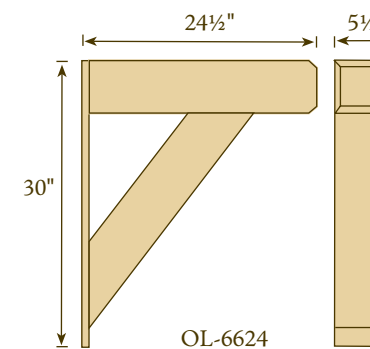
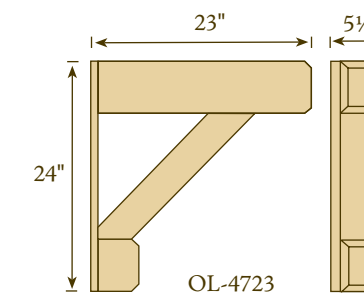
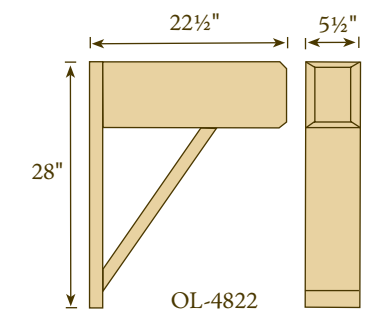
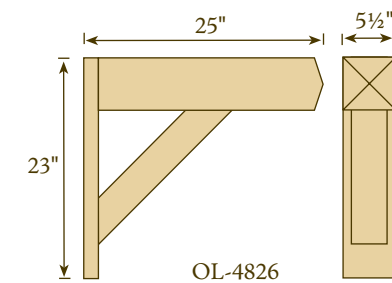


Outlookers



Chamfered Outlookers

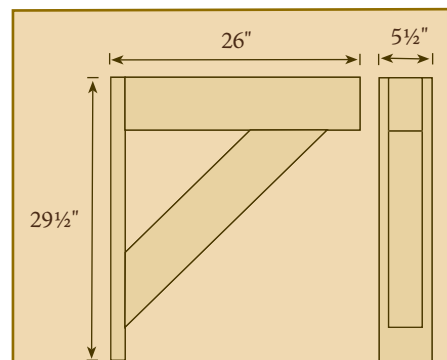
part no.	w	x	h	x	proj
OL-4412	3 1/2"	x	14"	x	12"
OL-4424	3 1/2"	x	18"	x	24"
OL-4427	3 1/2"	x	18"	x	32"
OL-4418	3 1/2"	x	20"	x	18"
OL-4430	3 1/2"	x	20"	x	18"
OL-4419	3 1/2"	x	24"	x	19 1/2"
OL-4426	3 1/2"	x	26"	x	14"
OL-4461	3 1/2"	x	36"	x	14"
OL-4615	5"	x	25"	x	18"
OL-4633	5 1/2"	x	13 1/2"	x	15"
OL-4614	5 1/2"	x	18"	x	18"
OL-4630	5 1/2"	x	20"	x	15"
OL-4620	5 1/2"	x	22"	x	18"
OL-6618	5 1/2"	x	22"	x	18"
OL-4723	5 1/2"	x	24"	x	23"
OL-4620A	5 1/2"	x	25 3/4"	x	18"
OL-6618A	5 1/2"	x	25 3/4"	x	18"
OL-4822	5 1/2"	x	28"	x	22 1/2"
OL-4826	5 1/2"	x	23"	x	25"
OL-6624	5 1/2"	x	30"	x	24 1/2"
OL-4620B	5 1/2"	x	31"	x	18"
OL-6618B	5 1/2"	x	31"	x	18"



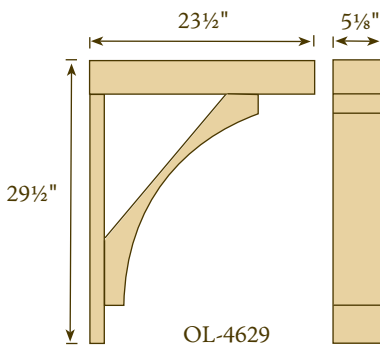
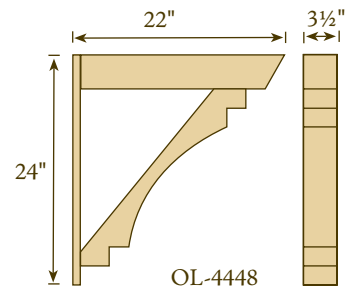
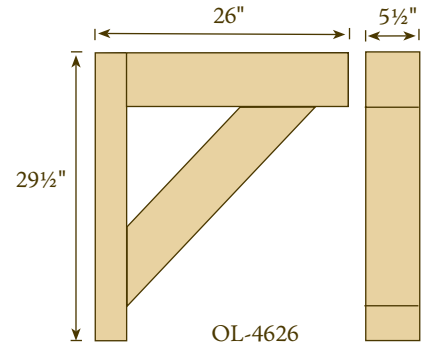
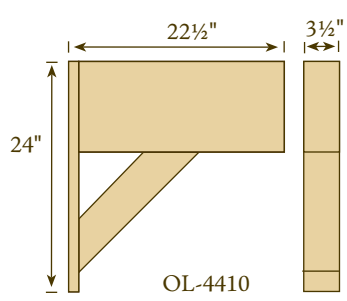
Hennis Enterprises, Inc.
 3052 North Ventura Avenue
 Ventura, CA 93001
 888•643•2879
 fax 805•643•3143
www.hennisenterprises.com



Outlookers

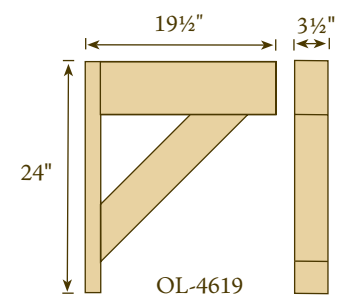
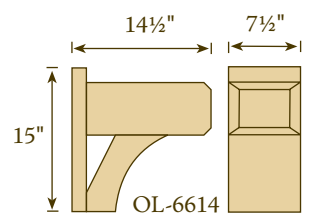
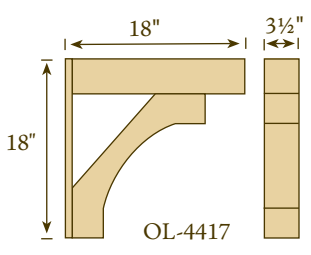
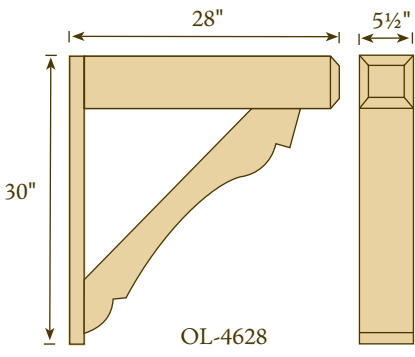
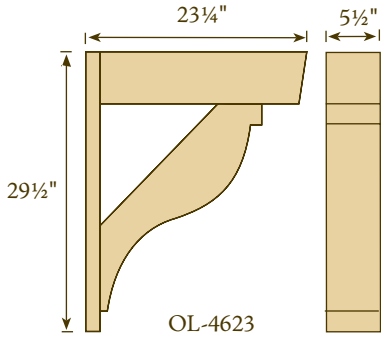
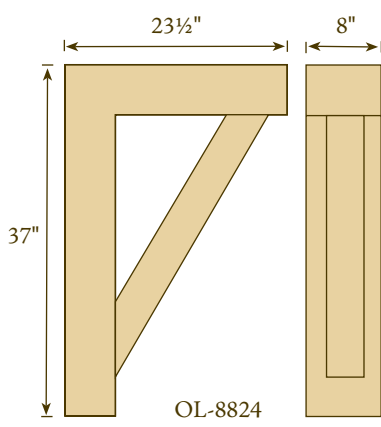


part no.	w	x	h	x	proj
OL-4618	5 1/2"	x	19 3/4"	x	18"
OL-4624	5 1/2"	x	26"	x	23 3/4"
OL-4625	5 1/2"	x	29 1/2"	x	26"

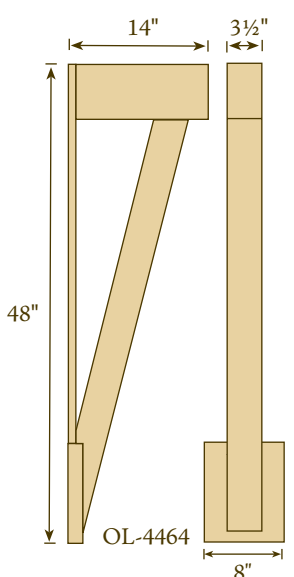


Square Outlookers

part no.	w	x	h	x	proj
OL-4619	3 1/2"	x	24"	x	19 1/2"
OL-4410	3 1/2"	x	24"	x	22 1/2"
OL-4464	3 1/2"	x	48"	x	14"
OL-4618	5 1/2"	x	19 3/4"	x	18"
OL-4624	5 1/2"	x	26"	x	23 3/4"
OL-4625	5 1/2"	x	29 1/2"	x	26"
OL-4626	5 1/2"	x	29 1/2"	x	26"
OL-8824	8"	x	37"	x	23 1/2"

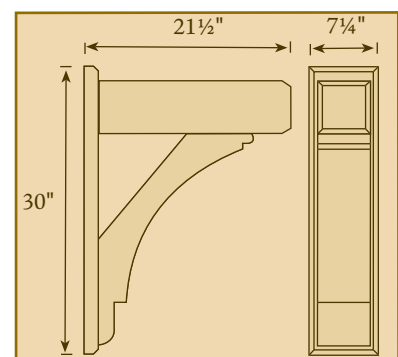


Hennis Enterprises, Inc.
3052 North Ventura Avenue
Ventura, CA 93001
888•643•2879
fax 805•643•3143
www.hennisenterprises.com



Combination Outlookers

part no.	w	x	h	x	proj	description
OL-4417	3 1/2"	x	18"	x	18"	Square/Cove
OL-4448	3 1/2"	x	24"	x	22"	Slant/Cove
OL-4629	5 1/8"	x	29 1/2"	x	23 1/2"	Square/Cove
OL-4623	5 1/2"	x	29 1/2"	x	23 1/4"	Slant/Scroll
OL-4628	5 1/2"	x	30"	x	28"	Chamfered/Cove
OL-6813	7 1/4"	x	30"	x	13 1/2"	Chamfered/Cove
OL-6821	7 1/2"	x	30"	x	21 1/2"	Chamfered/Cove
OL-6614	7 1/2"	x	15"	x	14 1/2"	Chamfered/Cove

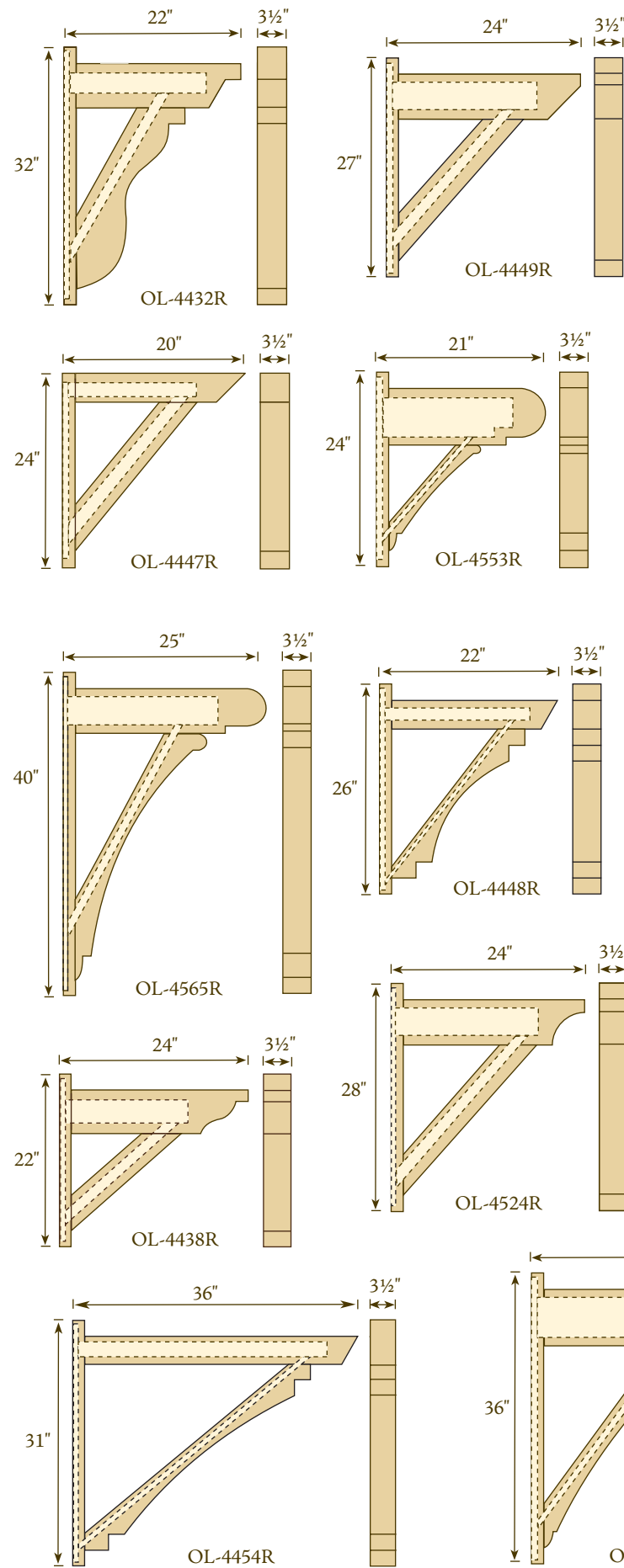


part no.	w	x	h	x	proj
OL-6813	7 1/4"	x	30"	x	13 1/2"
OL-6821	7 1/2"	x	30"	x	21 1/2"

≈ Gable Vents ≈ Louvered Panels ≈ L-Headers ≈ Potshelves & Sills ≈ Shutters ≈ Deco Blocks ≈ Window Headers ≈ Raftertails ≈ Decorative Trim ≈ Corbels ≈ Beams ≈ Headers ≈ Knee Braces ≈ Outlookers ≈ Decorative Straps ≈

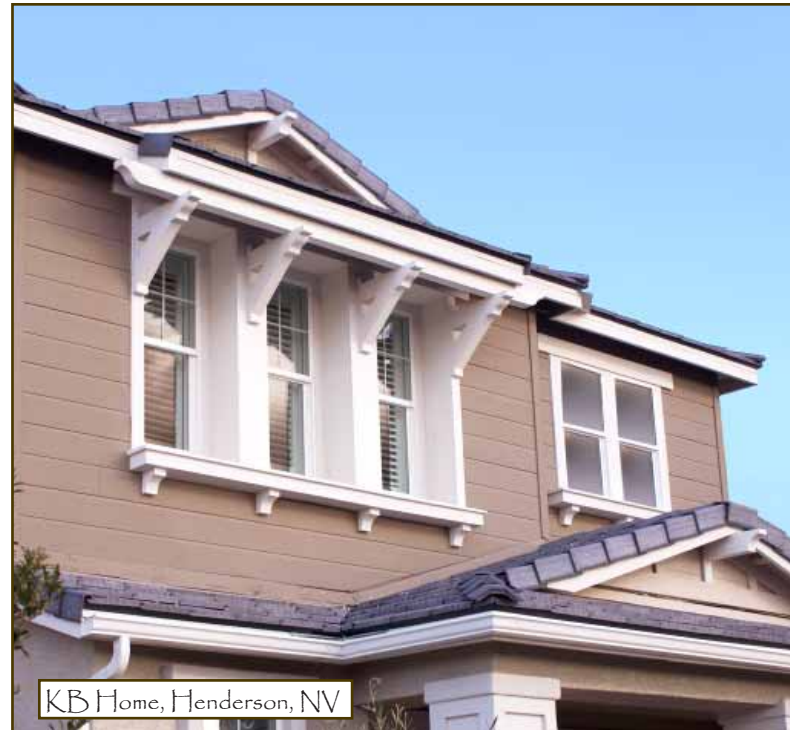
Reinforced Outlookers & Trellis Headers

Reinforced Outlookers



part no.	w	x	h	proj	description	
OL-4438R	3 1/2"	x	22"	x	24"	Scroll
OL-4447R	3 1/2"	x	24"	x	20"	Slant
OL-4553R	3 1/2"	x	24"	x	21"	Bullnose/Cove
OL-4448R	3 1/2"	x	26"	x	22"	Slant/Cove
OL-4449R	3 1/2"	x	27"	x	24"	Slant
OL-4524R	3 1/2"	x	28"	x	24"	Cove
OL-4454R	3 1/2"	x	31"	x	36"	Slant/Cove
OL-4432R	3 1/2"	x	32"	x	22"	Slant/Scroll
OL-4561R	3 1/2"	x	36"	x	28"	Bullnose/Cove
OL-4565R	3 1/2"	x	40"	x	25"	Bullnose/Cove
OL-6742R	5 1/2"	x	42"	x	24"	Slant

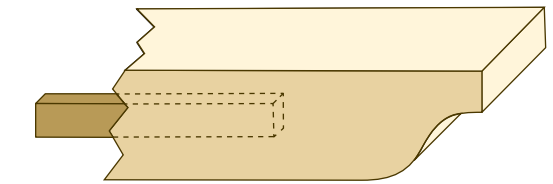
OL-4432R is reinforced with steel; all others are reinforced with wood. Mounting hardware shown on diagrams are for illustration only and are not included.



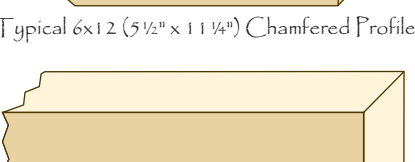
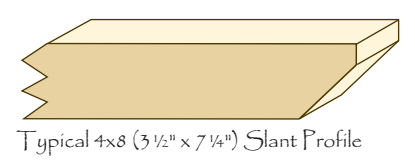
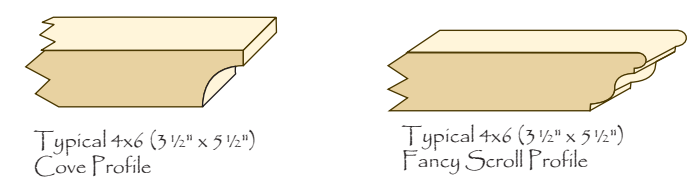
Hennis Enterprises has been a leader in the industry in developing new products and applications for polyurethane. Such innovations as molding an outlooker as one piece instead of three, and reinforcing polyurethane products with wood or steel are examples of this progressive thinking. One of the areas that separates Hennis Enterprises apart from our competition is our ability to work with Architects, Builders, and Contractors in developing methods for manufacturing difficult or custom products.

Reinforced Trellis Headers

part no.	w	x	h	l	description	
HE-C46062R	3 1/2"	x	5 1/2"	x	62"	Cove
HE-C46074R	3 1/2"	x	5 1/2"	x	74"	Cove
HE-C46082R	3 1/2"	x	5 1/2"	x	82"	Cove
HE-C46086R	3 1/2"	x	5 1/2"	x	86"	Cove
HE-C46096R	3 1/2"	x	5 1/2"	x	96"	Cove
HE-C46110R	3 1/2"	x	5 1/2"	x	110"	Cove
HE-C46114R	3 1/2"	x	5 1/2"	x	114"	Cove
HE-C46120R	3 1/2"	x	5 1/2"	x	120"	Cove
HE-L46118R	3 1/2"	x	5 1/2"	x	118"	Slant
HE-S46050R	3 1/2"	x	5 1/2"	x	50"	Fancy Scroll
HE-S46066R	3 1/2"	x	5 1/2"	x	66"	Fancy Scroll
HE-S46082R	3 1/2"	x	5 1/2"	x	82"	Scroll
HE-S46092R	3 1/2"	x	5 1/2"	x	92"	Scroll
HE-S46096R	3 1/2"	x	5 1/2"	x	96"	Fancy Scroll
HE-S46132R	3 1/2"	x	5 1/2"	x	132"	Fancy Scroll
HE-S46152R	3 1/2"	x	5 1/2"	x	152"	Scroll
LC-48228S	3 1/2"	x	7 1/2"	x	19'	Slant
HE-L410168R	3 1/2"	x	9 1/2"	x	168"	Slant
HE-H612144R	5 1/2"	x	11 1/4"	x	144"	Chamfered
HE-H612180R	5 1/2"	x	11 1/4"	x	180"	Chamfered
HE-S612150R	5 1/2"	x	11 1/4"	x	150"	Scroll
HE-Q612156R	5 1/2"	x	11 1/4"	x	156"	Square



Example of a 4x6 (3 1/2" x 5 1/2") Scroll Header with wood reinforcement molded in-place.



Note: All products manufactured by Hennis Enterprises are "decorative" only and provide no structural support. The products shown on this page have wood reinforcement for dimensional stability of the polyurethane. Hennis Enterprises has not performed structural analysis on these products, and it is the responsibility of the purchaser to evaluate the suitability for the particular application.